

NEXUS 3D

Adjustable door hinges

Stylish design

The Nexus range of 3D adjustable door hinges have been designed specifically for PVC-U doors and have been engineered for long term trouble-free performance.

The hinges provide enhanced door security with stainless steel stabilising pins on the hinge and face plate locating into reinforcement.

The design allows for easy on-site lateral, height and compression adjustment and will accommodate profiles with a step of 13mm – 21mm.

The Nexus range is available in a selection of attractive finishes and is supplied complete with fixing screws.



Technical information

Corrosion resistance:	Meets the Requirements of BS EN 1670:1998 – White/Brown powder coated & PVD Gold – 240 hrs Electroplated Gold – 96 hrs
Operation:	Endurance tested to over 50,000 cycles
Max weight per door:	2 hinges up to 80 kgs 3 hinges up to 120kgs

Material specification

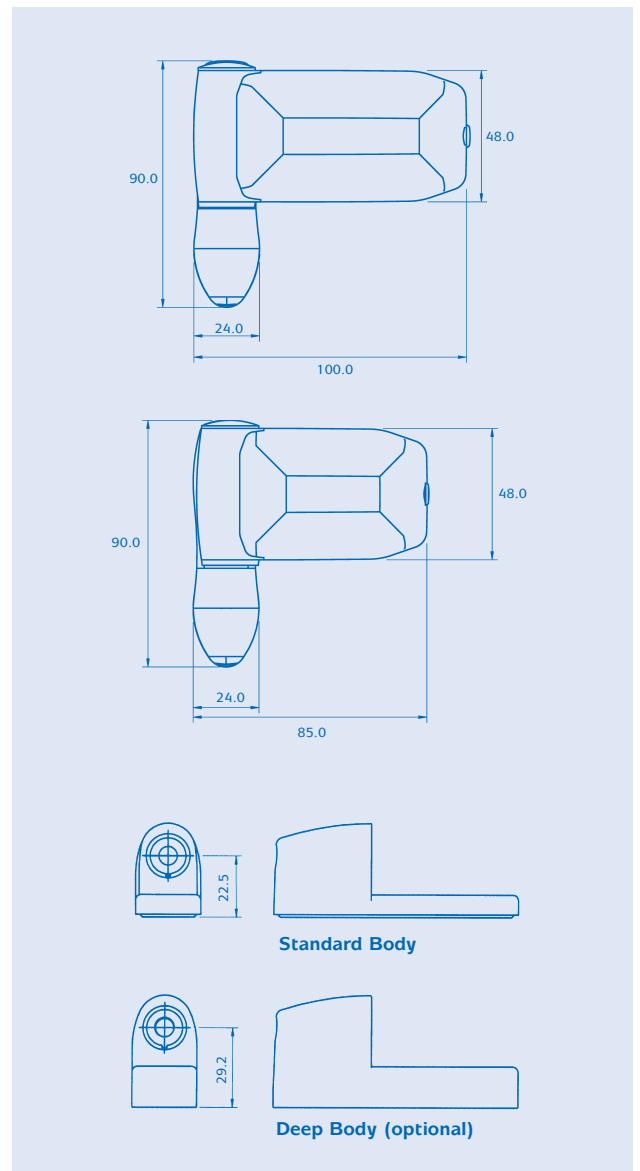
Hinge body and cover:	Zinc alloy casting
Coatings:	Gold – electroplated Zircon Gold – PVD White – powder coated Ral 9010 Brown – powder coated Ral 8019 Light Brown – powder coated Ral 8003
Slider:	Zinc base and zinc yellow passivated
Hinge support pins:	Stainless steel
Bushes:	White or gold nylon
Spacer, washer and caps:	White or gold nylon

Adjustability

Lateral:	+5mm / -5mm
Height:	+4mm / -1mm
Compression:	-0.75mm / +0.75mm

Product options

Available in White, Brown, Gold and Zircon Gold (PVD) finishes, in two overall widths – 85mm & 100mm.
See opposite for complete list of product codes.



PAINTED



GOLD ELECTROPLATED



ZIRCON GOLD



COMPOSITE DOORS



TIMBER DOORS



PVCu DOORS



SARACEN SECURE



SECURED BY DESIGN



GUARANTEE

NEXUS 3D

Part numbers

	White	Gold	Brown	Light Brown	Gold PVD
Nexus 85	DNN2WH0007	DNN2GD0004	DNN2BN0004	–	DNN2DG0002
Nexus 100	DNN2WH0006	DNN2GD0003	DNN2BN0003	DNN2LB0002	DNN2DG0001
Nexus 100 Deep Body	DNNDWH0002	DNNDGD0002	DNNDDBN0002	–	DNNDDG0002

Fixing Jig

DAJGBL0100

Packing information

24 per box including fixing screws