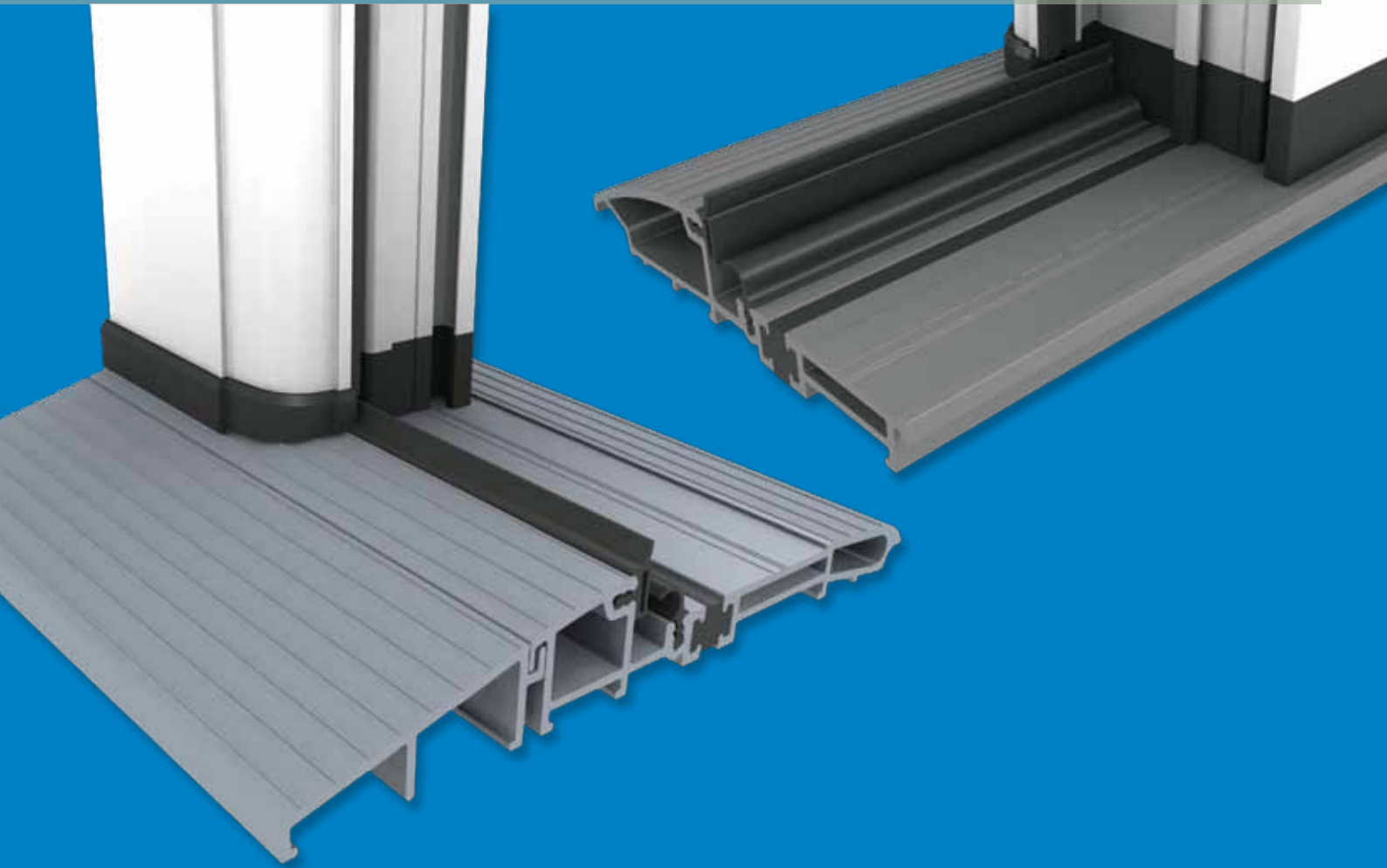


Low Threshold Kits

each kit will make 2 standard residential doors or one double door

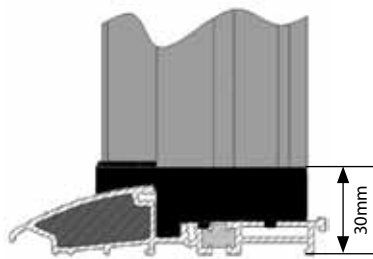


Synseal's range of mobility easy access **Low Threshold door sills** are **Part M compliant** and are available in **open in** and **open out** options

Low Threshold Kits

each kit will make 2 standard residential doors or one double door

The low thresholds are robust and straight cut so no routing or end milling is required. Available in gold and silver.



Straight cut - no routing or end milling.

Kit contents

- 1 x 2m long aluminium threshold (including pre-inserted gasket)
- 1 x 2m long aluminium weatherbar (seal carrier including pre-inserted gasket)
- 2 x sets of door jamb injection mouldings
- 2 x sets of weatherbar end caps
- 4 x foam sealing inserts (n/a outward opening door)

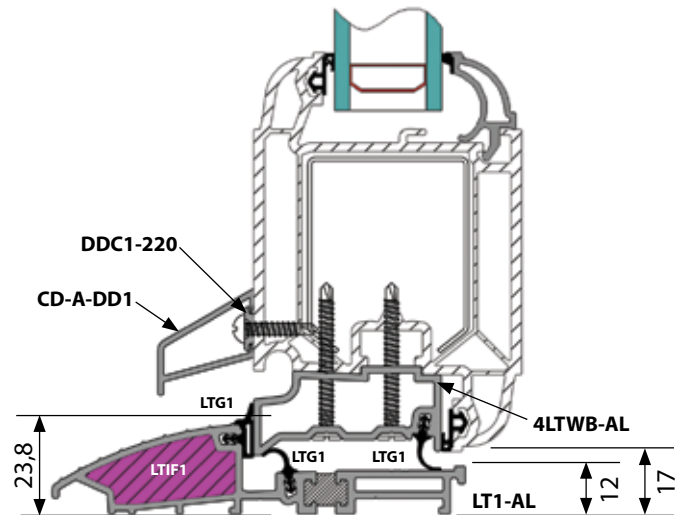
Ref No.	Description	Colour
<i>Inward opening door</i>		
LTK-SYNSILV	SynerJy Low Threshold Kit	Silver
LTK-SYNGOLD	SynerJy Low Threshold Kit	Gold
<i>Outward opening door</i>		
LTK2-SYNSILV	SynerJy Low Threshold Kit	Silver
LTK2-SYNGOLD	SynerJy Low Threshold Kit	Gold

For full technical data please contact us.

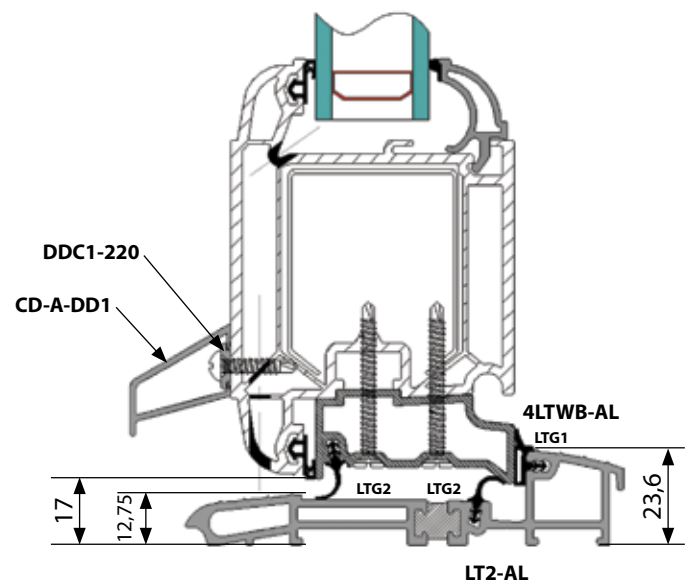


We reserve the right to alter specifications and descriptions without prior notice as part of our policy of continuous development. E&OE.

008JUN11/v1



Inward opening door



Outward opening door



Synseal Extrusions Ltd. Common Road, Huthwaite, Nottinghamshire, NG17 6AD

Tel: 01623 443200 www.synseal.co