

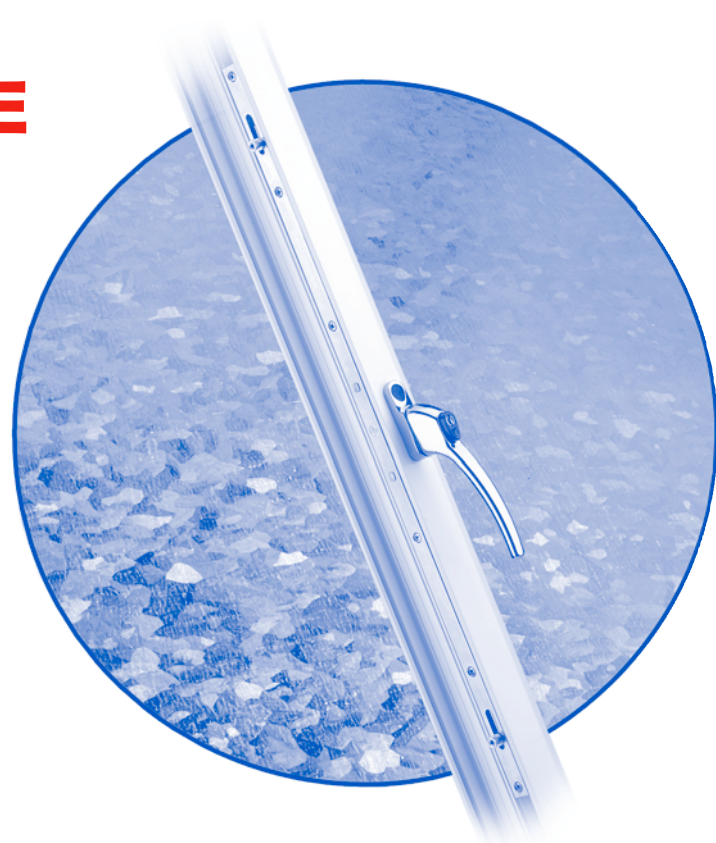
ESPAGNOLETTE BAR

locking mechanism

The LSH (UK) Espagnolette Bar has excellent window security and weather sealing performance.

Available in a range of sizes, designed to provide a quick to install, low cost hardware solution for casement windows.

Bars feature an integral gearbox and are manufactured from high quality steel with zinc coating, passivated to provide a barrier against corrosion.



Technical information

Corrosion resistance:	Meets the Requirements of BS EN 1670:2007 Grade 3
Operation:	Tested in excess of 30,000 cycles
Performance:	BBA Assessment Report 2523

Material specification

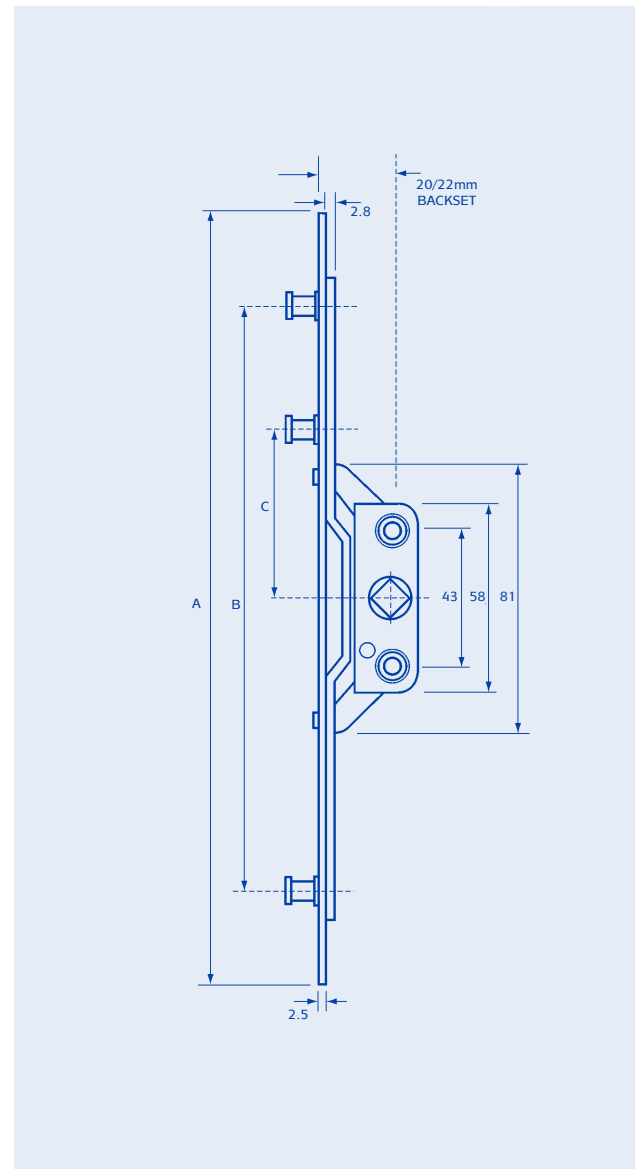
Bars:	High quality Steel, Zinc coated and yellow passivated or silver passivated
Keeps:	Zinc Alloy, yellow passivated or silver passivated

Product Options

Available with 20mm or 22mm backset and adjustable mushrooms/cams. Bars available in 6 sizes, in 8mm (standard) or 10mm cam height.

Bar	Length (A)	Dim B	Dim C	Sash Rebate	Cams (8/10mm)
1	245mm	134/165mm	-	270 - 420mm	2
2	395mm	284mm	-	420 - 620mm	2
3	595mm	484mm	-	620 - 820mm	2
4	795mm	684mm	-	820 - 1020mm	2
5	995mm	884mm	160	1020 - 1220mm	3
6	1195mm	1084mm	160	1220 - 1420mm	3

See opposite for complete list of product codes.



ESPAGNOLETTE BAR

Part numbers

Zinc Yellow	8mm Cam		10mm Cam
	20mm Backset	22mm Backset	20mm Backset
250mm	WLKEZY0007	WLKEZY0001	WLKEZY0013
400mm	WLKEZY0008	WLKEZY0002	WLKEZY0014
600mm	WLKEZY0009	WLKEZY0003	WLKEZY0015
800mm	WLKEZY0010	WLKEZY0004	WLKEZY0016
1000mm	WLKEZY0011	WLKEZY0005	WLKEZY0017
1200mm	WLKEZY0012	WLKEZY0006	WLKEZY0018

Silver finish	8mm Cam	
	20mm Backset	22mm Backset
250mm	WLEBSL0250020A	WLEBSL0250022A
400mm	WLEBSL0400020A	WLEBSL0400022A
600mm	WLEBSL0600020A	WLEBSL0600022A
800mm	WLEBSL0800020A	WLEBSL0800022A
1000mm	WLEBSL1000020A	WLEBSL1000022A
1200mm	WLEBSL1200020A	WLEBSL1200022A

Packing information

Size	No per pack
Bars	20
Keeps	20